

**RESILIENT SEAT GATE  
VALVE PN16 WITH  
PLANETARY GEARBOX****VOC 424116AP-08**
**EAC**  
**Tecofi**  
 VALVE DESIGNER - FRANCE
**APPLICATION**

General use : Water supply, fire protection, irrigation, water treatment.

**GENERAL CHARACTERISTICS**

Design according to DIN3352.  
 Range : from DN700 to DN1200.  
 Non rising stem.  
 Clockwise to close.  
 No zone of retention.  
 Low head losses.

**CONSTRUCTION**

20	Plug	Carbon steel A3
19	Minipad	TFL
18	Gear box	
17	Gland	Ductile iron GGG50
16	Dust ring	EPDM
15	Seal ring	Brass
14	O-ring	EPDM
13	O-ring	EPDM
12	Minipad	TFL
11	Locating ring	Brass
10	O-ring	EPDM
9	Nut	Carbon steel A3
8	Washer	Carbon steel A3
7	Bonnet bolt	Carbon steel A3
6	Bonnet	Ductile iron GGG50
5	Gasket	EPDM
4	Stem	Stainless steel 2Cr13
3	Stem nut	Brass
2	Wedge	Ductile iron GGG50+EPDM
1	Body	Ductile iron GGG50
<b>Pos.</b>	<b>Description</b>	<b>Material</b>

**DIMENSIONS**

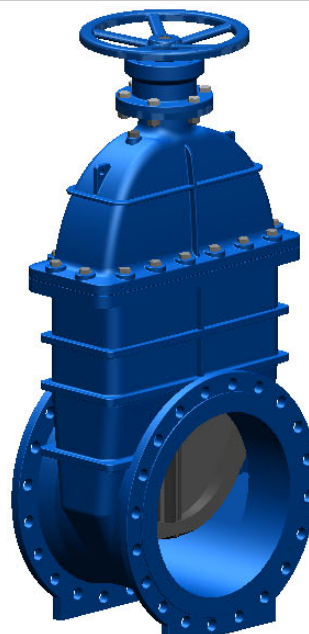
DN		D	D1	D2	D3	H	L	b	f	Z - d	Poids (kg)
mm	inch										
700	28"	910	840	794	450	1570	430	39,5	5	24 x Ø37	960
800	32"	1025	950	901	450	1740	470	43,0	5	24 x Ø40	1250
900	36"	1125	1050	1001	450	1845	510	46,5	5	28 x Ø37	1880
1000	40"	1255	1170	1112	450	2070	550	50,0	5	28 x Ø43	3400
1200	48"	1485	1390	1328	500	2460	630	57,0	5	32 x Ø49	4600

**WORKING CONDITIONS**

Maximum working pressure : 16 bar.  
 Maximum temperature : 0°C / +110°C.

**STANDARDS**

Face to face according to EN558-1 serie 14 and DIN 3202 / F4.  
 Connection according to standard EN 1092-2 ISO PN16.  
 Certificat of health conformity n° 16 ACC LY 039.

**ACS**